



Multifile offer a range of High Security 2 Hour Fire Rated Document Safes. Our cabinets have been designed and tested to provide the highest levels of protection for documents in the event of Fire.

Used by: Banks, Financial Institutions, Law Firms, Hospitals, Universities, etc. where protection of sensitive documents is essential.

Ideal for storage of: Files, Arch Lever Files, Binders, Archive Boxes, Last Will and Testaments, Deeds, Bonds, Passports and other important paper documents.



GDF 2 Hour Fire Rated Safes

For Paper Documents



The GDF Range of Fire Rated Safes are a premium certified 2 hour fire resistant cabinet. Featuring a digitally operated TUV Lock this cabinet is specially designed to safeguard valuable documents from burglary and fire. Ideal for businesses, banks, financial institutions and law firms that require the highest level of protection against fire of binders and documents.

Fire Rating



120 Minute Fire Rated Fire resistant safe for documents.
Certified for fire protection of documents.
NT FIRE 017 - 120 Paper

Locks

TUV Digital Keypad and Lock

Sizing

Available in 2 Sizes - Single or Double Door

GDF 2 Hour Fire Rated For Paper Documents

GDF Single Door Cabinet



Certified 120 Minute Fire Rated for paper documents
NT FIRE 017 - 120 Paper

Featuring

- High Quality European certified TUV Digital Lock and Keypad
- External hinges with Internal anti-pry dead bar
- Fire Resistant material filled door and body
- 4 Fully Adjustable Shelves
- Durable quality paint finish
- Asbestos Free

Dimensions

External : 1630H x 775W x 650D
Internal : 1450H x 595W x 440D
Weight : 388KG



GDF Double Door Cabinet



Certified 120 Minute Fire Rated for paper documents
NT FIRE 017 - 120 Paper

Featuring

- High Quality European certified TUV Digital Lock and Keypad
- External hinges with Internal anti-pry dead bar
- Fire Resistant material filled door and body
- 4 Fully Adjustable Shelves
- Durable quality paint finish
- Asbestos Free

Dimensions

External : 1685H x 1126W x 700D
Internal : 1505H x 946W x 490D
Weight : 540KG



GDF 2 Hour Fire Rated For Paper Documents

NT FIRE 017 Fire Test

Independently tested to the most stringent international standards, the NT Fire 017 fire test originates from NordTest, the Swedish National Testing and Research Institute. Considered an industry standard, the SP testing lab in Sweden is one of the most highly regarded labs that performs this test.

NT FIRE 017-120 Paper: The safe is heated in a furnace for 2 hours to 1049° C. During this time, the internal temperature of the safe may not rise by more than 150° C. Safes in this category provide one hour of protection for paper by keeping temperatures below 177° C - the point at which paper chars or combusts.



1 Before heating



2 Heating

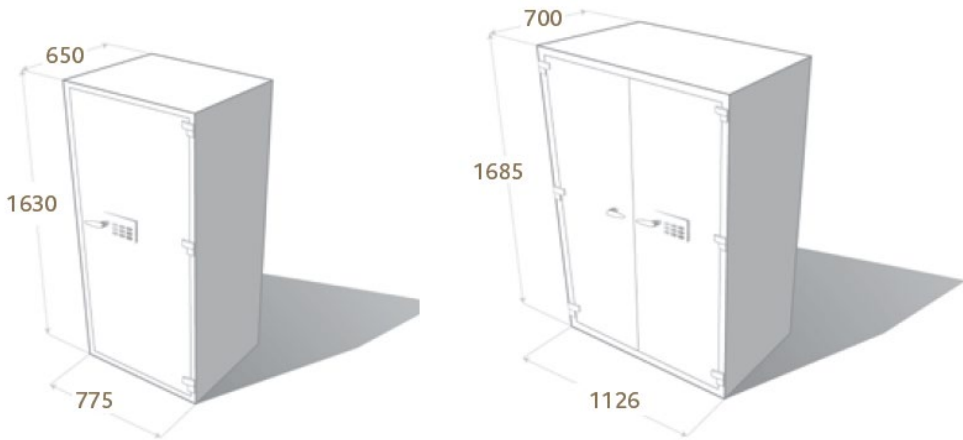


3 After heating



4 Interior of tested drawer

Description



Model	EXTERNAL (MM)			INTERNAL (MM)			Weight (kg)	Volume (litres)	Shelves (adj)	Fire rating (mins)
	Height	Width	Depth	Height	Width	Depth				
GDF 200EH	1630	775	650	1450	595	440	388	380	4	120
GDF L300EH	1685	1126	700	1505	946	490	540	698	4	120

DEPTH MEASUREMENT DOES NOT INCLUDE THE HANDLE, KEYPAD OR HINGES. PLEASE ALLOW 50MM.
Due to Guardall constantly striving to deliver better products; sizes and colours may vary slightly.