



The GDF Range of Fire Rated Data Safes are a premium certified 2 hour fire resistant cabinet. Featuring a digitally operated TUV Lock this cabinet is specially designed to safeguard valuable data from burglary and fire. Ideal for businesses, banks, financial institutions and law firms that require the highest level of protection for media such as DLT or LTO tapes as well as CD's, DVD's and optical disks.

### Fire Rating



120 Minute Fire Rated Fire resistant safe for data  
Certified for fire protection of documents.  
NT FIRE 017 - 120 Diskette

### Locks

TUV Digital Keypad and Lock

### Sizing

Available in 3 Sizes - Single or Double Door

# GDF 2 Hour Fire Rated For Data

## GDF DT2825EH



Certified 120 Minute  
Fire Rated for paper documents  
NT FIRE 017 - 120 Diskette



### Featuring

- High Quality European certified TUV Digital Lock and Keypad
- External hinges with Internal anti-pry dead bar
- Fire Resistant material filled door and body
- Durable quality paint finish
- Asbestos Free

### Dimensions

External : 770H x 690W x 720D  
Internal : 489H x 402W x 406D  
Weight : 254KG

## GDF DT2200EH



Certified 120 Minute  
Fire Rated for paper documents  
NT FIRE 017 - 120 Diskette



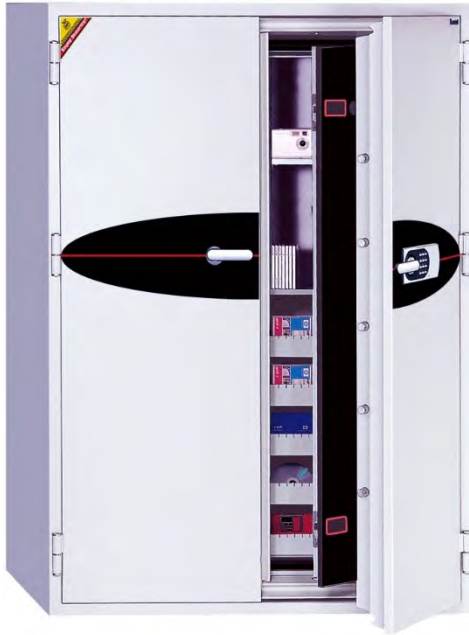
### Featuring

- High Quality European certified TUV Digital Lock and Keypad
- External hinges with Internal anti-pry dead bar
- Fire Resistant material filled door and body
- Durable quality paint finish
- Shelves x 2
- Sliding Tray x 5
- Asbestos Free

### Dimensions

External : 1685H x 690W x 720D  
Internal : 1404H x 402W x 406D  
Weight : 584KG

## GDF DT2300EH



Certified 120 Minute  
Fire Rated for paper documents  
NT FIRE 017 - 120 Diskette



### Featuring

- High Quality European certified TUV Digital Lock and Keypad
- External hinges with Internal anti-pry dead bar
- Fire Resistant material filled door and body
- Durable quality paint finish
- Shelves x 4
- Sliding Tray x 10
- Asbestos Free

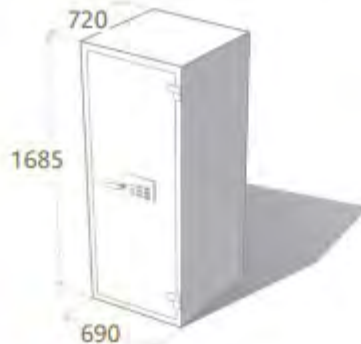
### Dimensions

External : 1685H x 1200W x 720D  
Internal : 2 x (1404H x 402W x 406D)  
Weight : 765KG

## Description



● GDF DT2825EH



● GDF DT2200EH



● GDF DT2300EH

Model	EXTERNAL (MM)			INTERNAL (MM)			Weight (kg)	Vol (litres)	Shelves	Sliding Tray
	H	W	D	H	W	D				
GDF DT2825EH	770	690	720	489	402	406	254	80	1	2
GDF DT2200EH	1685	690	720	1404	402	406	584	229	2	5
GDF DT2300EH	1685	1200	720	(1404 x 402 x 406) x 2			765	458	4	10

DEPTH MEASUREMENT DOES NOT INCLUDE THE HANDLE, KEYPAD OR HINGES. PLEASE ALLOW 50MM.

## Fire Rating – NT Fire 017 Diskette

### NT FIRE 017 Diskette Fire Test

Independently tested to the most stringent international standards, The NT Fire 017 Diskette fire test originates from NordTest the Swedish National Testing and Research Institute. This test is considered an industry standard. The SP testing lab in Sweden is perhaps the most highly regarded lab which performs this test.

### Fire Endurance Test

Under this certification the safe is placed inside a furnace and heated to temperatures up to 1049° C over a 2 hour period. During this time, the internal temperature of the safe may not rise by more than 30° C. Safes in this category provide two hour of protection for data storage for sensitive computer media such as floppy disks.



1 Before heating



2 Heating



3 After heating



4 Interior of tested drawer

